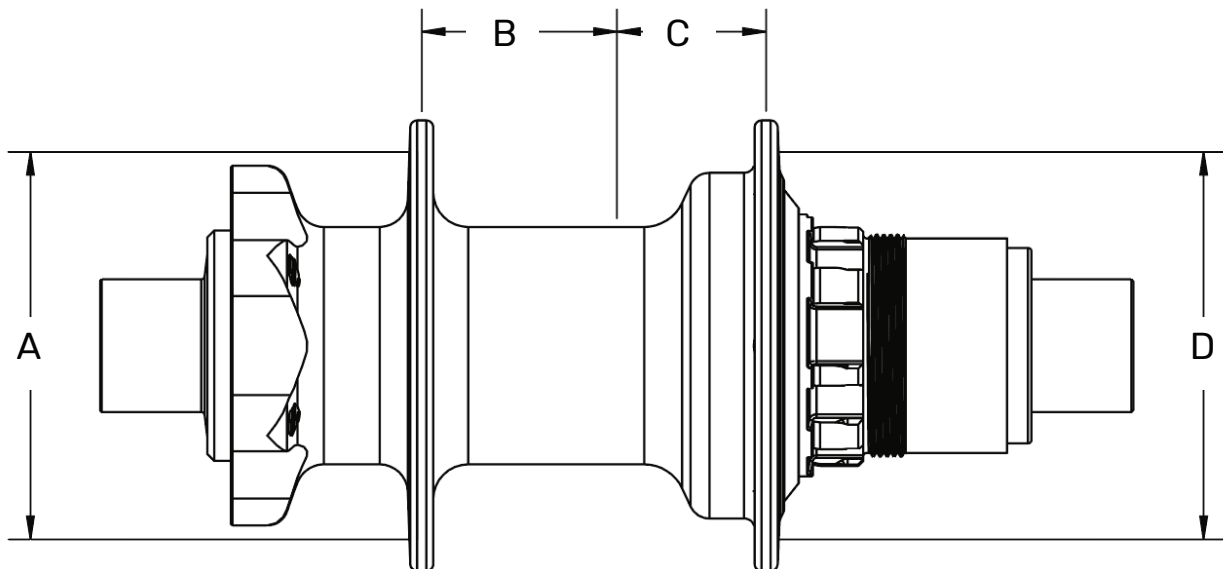


Hub Model	Hub Shell 6-bolt/Centerlock	(A) Non-drive Side Flange Ø	(B) Non-drive Side Center to Flange	(C) Drive Side Center to Flange	(D) Drive Side Flange Ø
E-SYNC FRONT	100	55.5	22	29	55.5
E-SYNC FRONT	110	55.5	27	34	55.5
E-SYNC OS FRONT	15x110/20x110 Boost	55.5	27.5	38.5	55.5
E-SYNC OS FRONT	15x100/20x110	55.5	22.5	33.5	55.5



Hub Model	Hub Shell 6-bolt/Centerlock	(A) Non-drive Side Flange Ø	(B) Non-drive Side Center to Flange	(C) Drive Side Center to Flange	(D) Drive Side Flange Ø
E-SYNC REAR	135/142	55.5	26	18.5	55.5
E-SYNC REAR	141/148	55.5	28	21.5	55.5
E-SYNC REAR	150/157	55.5	32	26	55.5