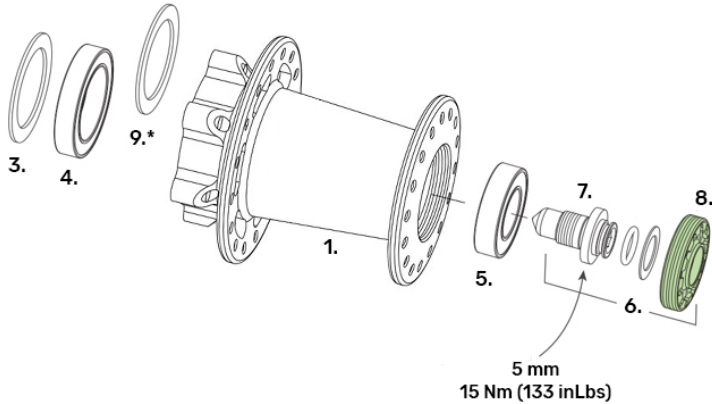


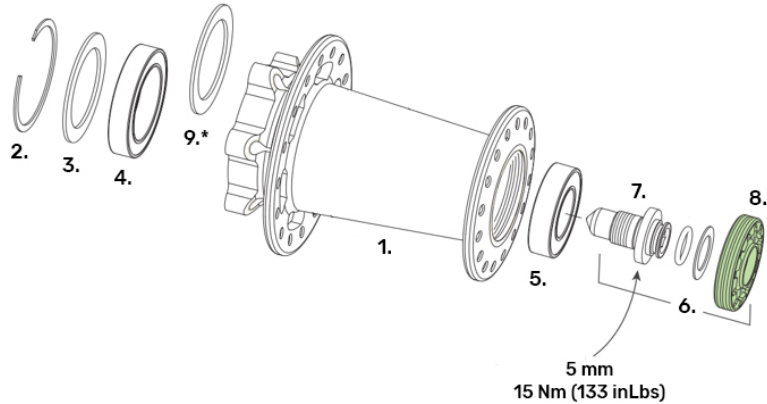
STAN'S NOTUBES NEO LEFTY HUB SHIM INSTALLATION INSTRUCTIONS

Due to the tight tolerances inherent in the Lefty design, a small number of Lefty hubs can exhibit signs of lateral play at the spindle during setup or after initial use. This shim will customize the fit and eliminate play at the hub. This shim is not required in all Neo Lefty hubs.

Neo Lefty SL - Lefty 50



Neo Lefty SM - Lefty 60



Shim goes between #1 and #4

Identification

- | | |
|---------------------------------------|-------------------------------|
| 1. Neo Lefty Hub Shell | 6. Axle Bolt Assy. |
| 2. Ring Clip (Neo Lefty SM Only) | 7. Axle Bolt |
| 3. Hub Bearing Seal | 8. Hub Cap (Left-hand thread) |
| 4. Inner Hub Bearing #6805, 25X37X7MM | 9. Shim (*Optional) #QC103/ |
| 5. Outer Hub Bearing #6902, 15X28X7MM | |

Installation

The Shim (9.) is to be installed between the Hub Shell (1.) and Inner Hub Bearing (4.) of the hub. The rotor, Inner Hub Bearing, Bearing Seal (3.), and Ring Clip (2.)(SM hub only) will need to be removed before installing the Shim. After installing the Shim in the Hub Shell, press the Inner Hub Bearing back into place using a bearing press and appropriately-sized bearing drift. Next, reinstall the Bearing Seal, Ring Clip (SM hub only), and rotor onto the hub. Reinstall the wheel onto your Lefty and re-check for play.